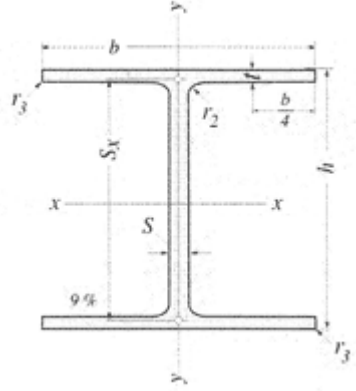


Perfil Grey Mediano - HEB

- F= Sección
- G= Peso
- U= Superficie exterior por metro de perfil
- J= Momento de inercia
- W= Momento resistente
- i= Radio de giro
- S_x= Momento estático de media sección del perfiles
- x= J_x/S_x - Separación entre los centros de tracción y compresión



Viga de ala ancha de caras paralelas - Serie IPB

Denominación	Dimensiones en mm						Eje flexión x-x					Eje flexión y-y					
	h	b	s	t	r ₁ /r ₂	r ₃	F	G	U	J _x	W _x	i _x	J _y	W _y	i _y	S _x	s _x
100	100	100	6.0	10.0	12.0	-	26.0	20.4	0.567	450	88.9	4.16	167	33.5	2.53	52.1	8.63
120	120	120	6.5	11.0	12.0	-	34.0	26.7	0.686	864	144	5.40	318	52.9	3.06	82.6	10.5
140	140	140	7.0	12.0	12.0	-	43.0	33.7	0.805	1,510	216	5.93	550	78.5	3.58	123	12.3
160	160	160	8.0	13.0	15.0	-	54.3	42.6	0.918	2,490	311	6.78	889	111	4.05	177	14.1
180	180	180	8.5	14.0	15.0	-	65.3	51.2	1.04	3,830	426	7.66	1,360	151	4.57	241	15.9
200	200	200	9.0	15.0	18.0	-	78.1	61.3	1.15	5,700	570	8.54	2,000	200	5.07	321	17.7
220	220	220	9.5	16.0	18.0	-	91.0	71.5	1.27	8,090	736	9.43	2,840	258	5.59	414	19.6
240	240	240	10.0	17.0	21.0	-	106	83.2	1.38	11,260	938	10.3	3,920	327	6.08	527	21.4
260	260	260	10.0	17.5	24.0	-	118	93.0	1.50	14,920	1,150	11.2	5,130	395	6.58	641	23.3
280	280	280	10.5	18.0	24.0	-	131	103	1.62	19,270	1,380	12.1	6,590	471	7.09	767	25.1
300	300	300	11.0	19.0	27.0	-	149	117	1.73	25,170	1,680	13.0	8,560	571	7.58	934	26.9
320	320	300	11.5	20.5	27.0	-	161	127	1.77	30,820	1,930	13.8	9,240	616	7.57	1,070	28.7
340	340	300	12.0	21.5	27.0	-	171	134	1.81	36,660	2,160	14.6	9,690	646	7.53	1,200	30.4
360	360	300	12.5	22.5	27.0	-	181	142	1.85	43,190	2,400	15.5	10,140	676	7.49	1,340	32.2
400	400	300	13.5	24.0	27.0	-	198	155	1.93	57,620	2,880	17.1	10,820	721	7.40	1,620	35.7
450	450	300	14.0	26.0	27.0	-	218	171	2.03	79,890	3,550	19.1	11,720	781	7.33	1,990	40.1
500	500	300	14.5	28.0	27.0	-	239	187	2.12	107,200	4,290	21.2	12,620	842	7.27	2,410	44.5
550	550	300	15.0	29.0	27.0	-	254	199	2.22	136,700	4,970	23.2	13,080	872	7.17	2,800	48.9
600	600	300	15.5	30.0	27.0	-	270	212	2.32	171,000	5,700	25.2	13,530	902	7.08	3,210	53.2
650	650	300	16.0	31.0	27.0	-	286	223	2.42	210,600	6,480	27.1	13,980	932	6.99	3,660	57.5
700	700	300	17.0	32.0	27.0	-	306	241	2.52	256,900	7,340	29.0	14,440	963	6.87	4,160	61.7
800	800	300	17.5	33.0	30.0	-	334	262	2.71	359,100	8,980	32.8	14,900	994	6.68	5,110	70.2
900	900	300	18.5	35.0	30.0	-	371	291	2.91	494,100	10,980	36.5	15,820	1,050	6.53	6,290	78.5
1000	1000	300	19.0	36.0	30.0	-	400	314	3.11	644,700	12,890	40.1	16,820	1,090	6.38	7,430	86.8